

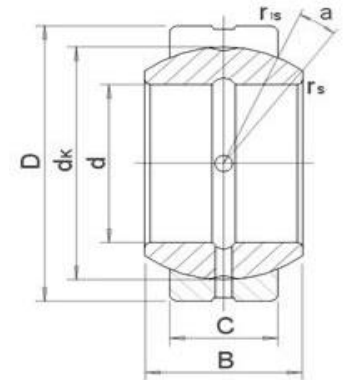
GEH-ES(-2RS) HEAVY DUTY SERIES OF PLAIN SPHERICAL BEARINGS WITH STEEL/STEEL LINER REQUIRING LUBRICATION



Outer Ring and Ball: 100Cr6 Bearing Steel, Hardened and Phosphated, sliding surface treated with MoS₂

Temperature Range: Open design -50°C to +150°C / 2RS design -50°C to +130°C

Also available with Polyetherane Seals - Add suffix -2RS



Bearing No.	Dimensions								Basic Load Rating		Weight (kg)
	d	D	B	C	dk	rs min	r1s min	αo ≈	Dynamic C(KN)	Static Co(KN)	
GEH15ES / GEH15ES-2RS	15	30	16	10	25	0.3	0.3	16	21	106	0.049
GEH17ES / GEH17ES-2RS	17	35	20	12	29	0.3	0.3	19	30	146	0.083
GEH20ES / GEH20ES-2RS	20	42	25	16	35.5	0.3	0.6	17	48	240	0.153
GEH25ES / GEH25ES-2RS	25	47	28	18	40.7	0.6	0.6	17	62	310	0.203
GEH30ES / GEH30ES-2RS	30	55	32	20	47	0.6	1	17	79	399	0.304
GEH35ES / GEH35ES-2RS	35	62	35	22	53	0.6	1	16	99	495	0.408
GEH40ES / GEH40ES-2RS	40	68	40	25	60	0.6	1	17	127	637	0.542
GEH45ES / GEH45ES-2RS	45	75	43	28	66	0.6	1	15	156	780	0.713
GEH50ES / GEH50ES-2RS	50	90	56	36	80	0.6	1	17	245	1220	1.4
GEH60ES / GEH60ES-2RS	60	105	63	40	92	1	1	17	313	1560	2.05
GEH70ES / GEH70ES-2RS	70	120	70	45	105	1	1	16	400	2000	3.01
GEH80ES / GEH80ES-2RS	80	130	75	50	115	1	1	14	488	2440	3.64
GEH90ES / GEH90ES-2RS	90	150	85	55	130	1	1	15	607	3030	5.22
GEH100ES / GEH100ES-2RS	100	160	85	55	140	1	1	14	654	3270	6.05